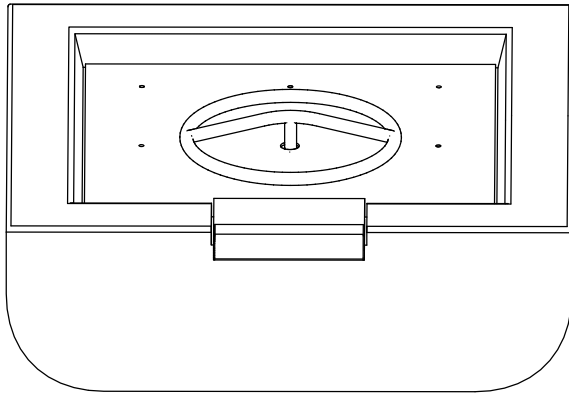
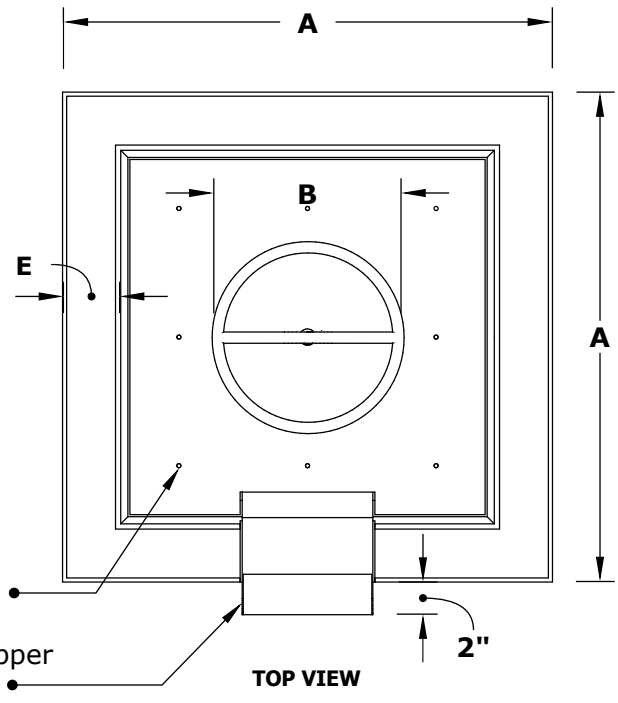


AVALON FIRE WATER BOWL - GFRC CONCRETE

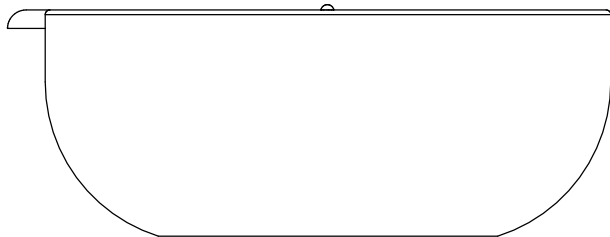


ISOMETRIC VIEW

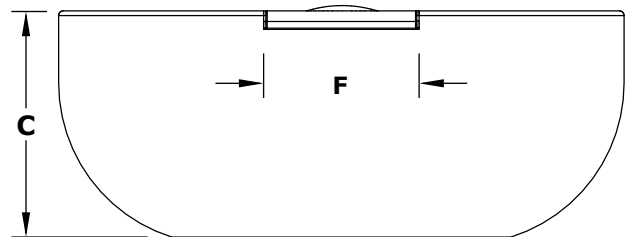


Drain Holes
Copper Scupper
(3/4" Inlet)

TOP VIEW



RIGHT SIDE VIEW



FRONT SIDE VIEW

SKU	A	B	C	D	E	F	BTU	GPM
OPT-AVLFW24	24"	8"	10"	13"	2.5"	8"	45,000	7-10
OPT-AVLFW30	30"	12"	12"	18"	3.5"	8"	65,000	7-10
OPT-AVLFW36	36"	12"	12"	20"	4"	10"	65,000	7-10

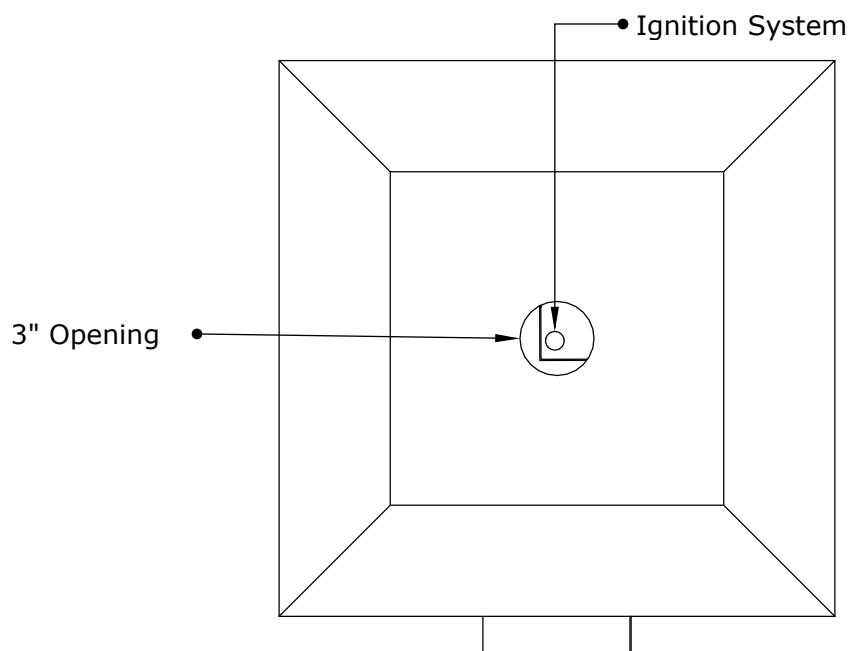
Fire Pit Material: GFRC Concrete
Finish: Smooth Finish
Pan Material: 304 Stainless Steel
Burner Material: 304 Stainless Steel

12V ELECTRONIC IGNITION
ANSI Z21.97-(2017) / CSA 2.41-(2017)



Includes: Pan, Burner, Whistle Free Hoses, Copper Scupper, Black Lava Rock.

AVALON FIRE WATER BOWL - GFRC CONCRETE



ISOMETRIC VIEW

Fire Pit Material: GFRC Concrete
Finish: Smooth Finish
Pan Material: 304 Stainless Steel
Burner Material: 304 Stainless Steel

12V ELECTRONIC IGNITION
ANSI Z21.97-(2017) / CSA 2.41-(2017)



Includes: Pan, Burner, Whistle Free Hoses, Copper Scupper, Black Lava Rock.