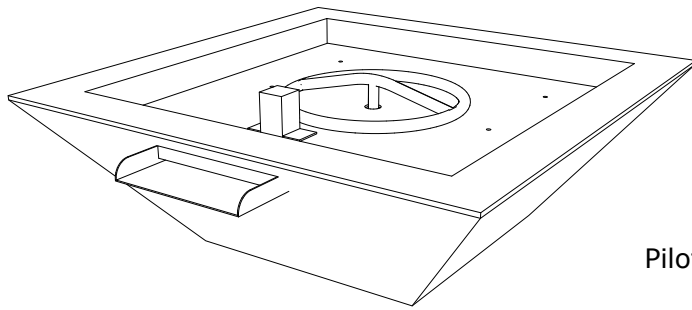
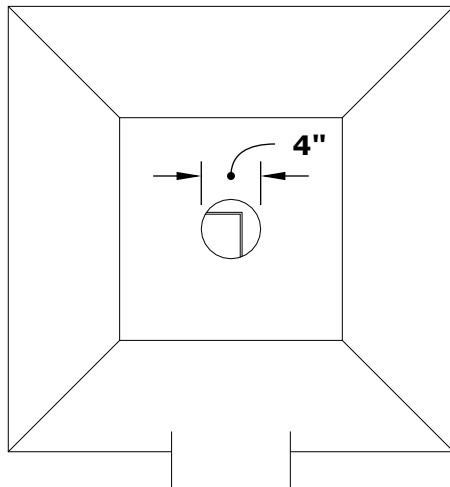
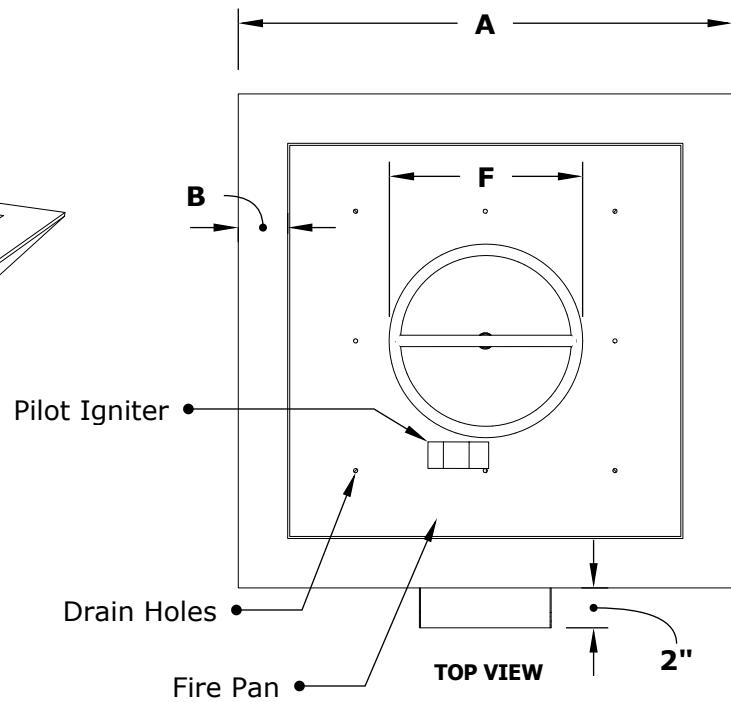


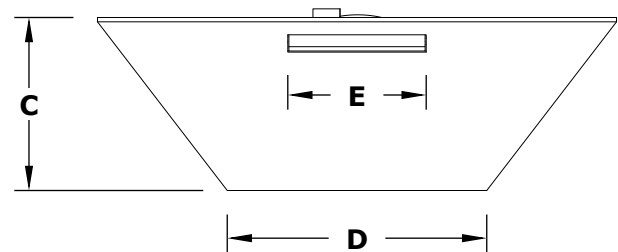
MAYA FIRE WATER BOWL POWDER COATED STEEL/ COPPER



ISOMETRIC VIEW



UNDERSIDE VIEW



FRONT SIDE VIEW

SKU	A	B	C	D	E	F	BTU
OPT-24SCFWE12V	24"	2"	10"	12"	8"	8" Single Ring	45,000
OPT-30SCFWE12V	30"	3"	10"	15"	8"	12" Single Ring	65,000
OPT-36SCFWE12V	36"	3"	12"	18"	10"	12" Single Ring	65,000
OPT-24SQPCFWE12V	24"	2"	10"	12"	8"	8" Single Ring	45,000
OPT-30SQPCFWE12V	30"	3"	10"	15"	8"	12" Single Ring	65,000
OPT-36SQPCFWE12V	36"	3"	12"	18"	10"	12" Single Ring	65,000

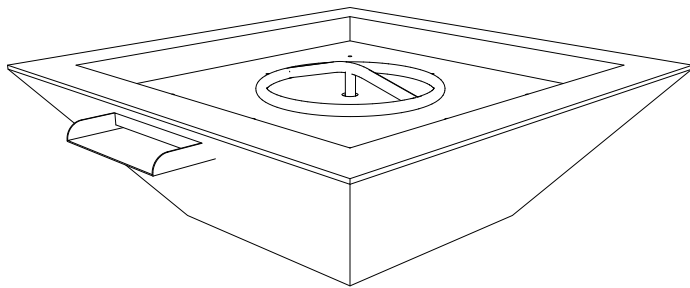
Fire Bowl Material
 - Powder Coated Steel
 - Hammered Copper
 Pan Material: 304 Stainless Steel
 Burner Material: 304 Stainless Steel
 Water Inlet: 3/4" FIP
 GPM: 12-15
12V ELECTRONIC IGNITION
 ANSI Z21.97-(2017) / CSA 2.41-(2017)



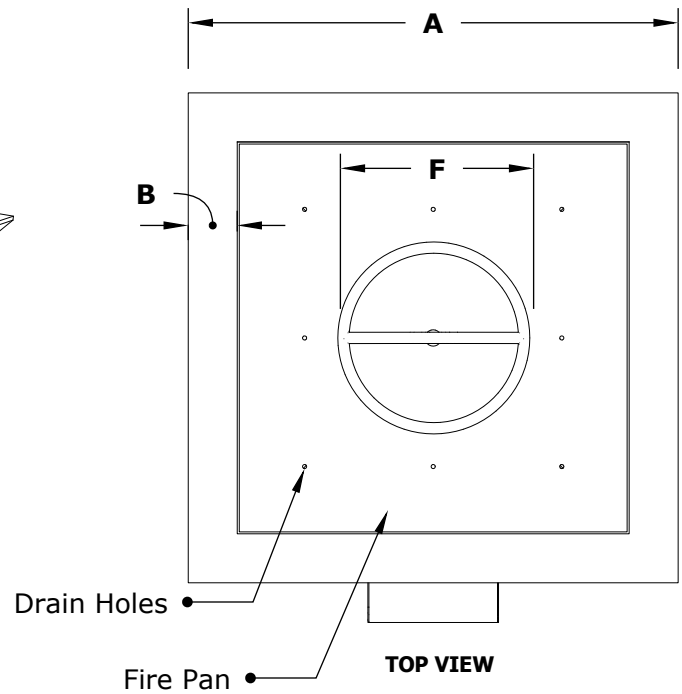
Includes: Pan, Burner, 12v Electronic Valve, Pilot Igniter, NG or LP orifice, Whistle Free Hose, Black Lava Rock.

MAYA FIRE WATER BOWL

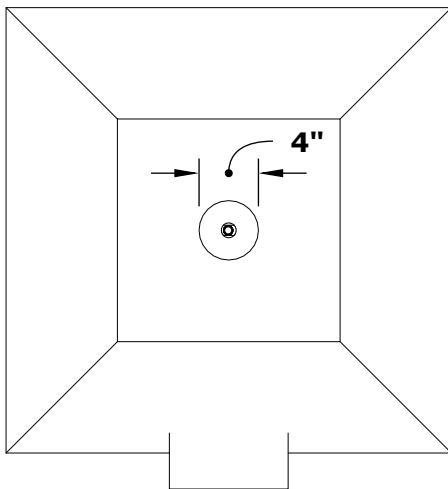
POWDER COATED STEEL/ COPPER



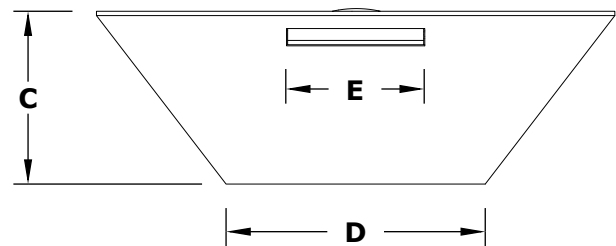
ISOMETRIC VIEW



TOP VIEW



UNDERSIDE VIEW



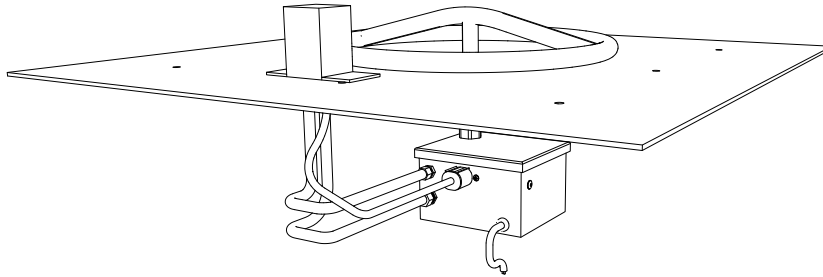
FRONT SIDE VIEW

SKU	A	B	C	D	E	F	BTU
OPT-24SCFW	24"	2"	10"	12"	8"	8" Single Ring	45,000
OPT-30SCFW	30"	3"	10"	15"	8"	12" Single Ring	65,000
OPT-36SCFW	36"	3"	12"	18"	10"	12" Single Ring	65,000
OPT-24SQPCFW	24"	2"	10"	12"	8"	8" Single Ring	45,000
OPT-30SQPCFW	30"	3"	10"	15"	8"	12" Single Ring	65,000
OPT-36SQPCFW	36"	3"	12"	18"	10"	12" Single Ring	65,000

Fire Bowl Material
 - Powder Coated Steel
 - Hammered Copper
 Pan Material: 304 Stainless Steel
 Burner Material: 304 Stainless Steel
 Water Inlet: 3/4" FIP
 GPM: 12-15

Includes: Pan, Burner, NG or LP orifice, Whistle Free Hose, Black Lava Rock.

SMART WEATHER ELECTRONIC IGNITION OVERVIEW



ISOMETRIC VIEW

