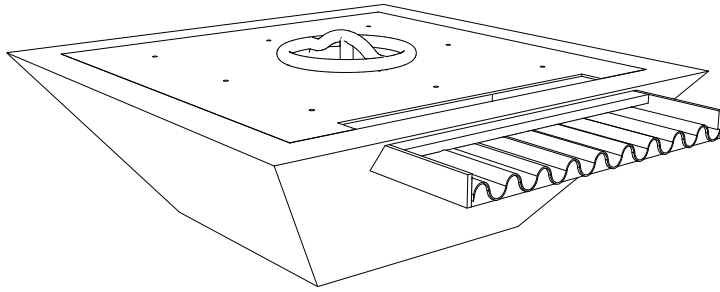
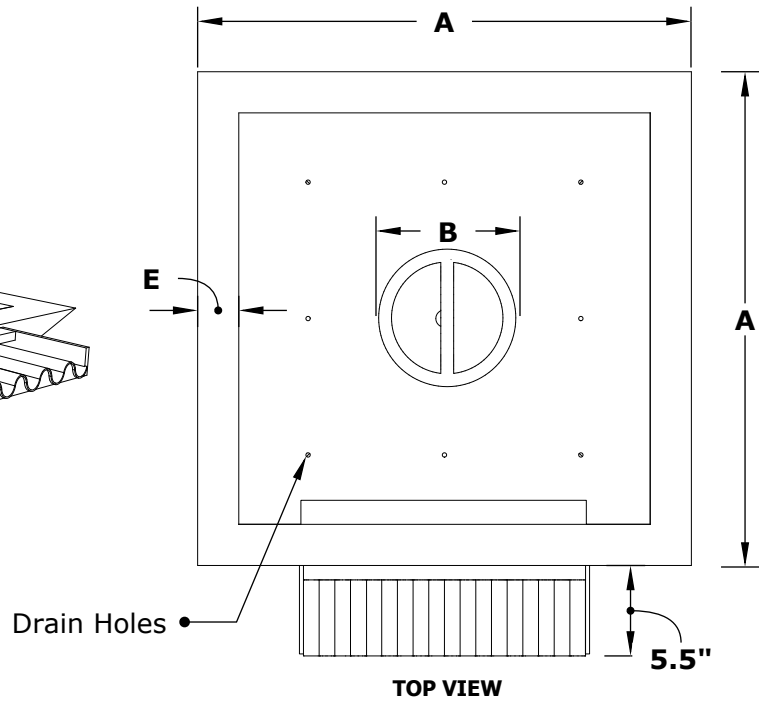


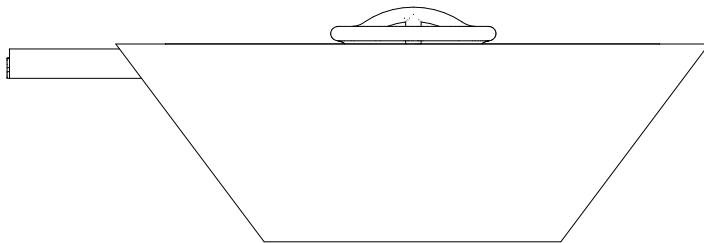
MAYA FIRE WATER BOWL - WAVE SCUPPER METAL POWDER COAT



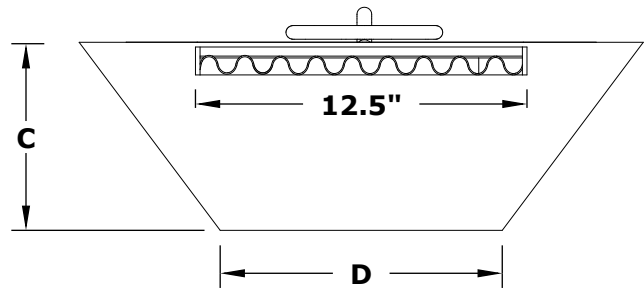
ISOMETRIC VIEW



TOP VIEW



RIGHT SIDE VIEW



FRONT SIDE VIEW

SKU	A	B	C	D	E	BTU
OPT-24SQPCFWV	24"	8"	10"	12"	2"	45,000
OPT-30SQPCFWV	30"	12"	10"	15"	3"	65,000
OPT-36SQPCFWV	36"	12"	12"	18"	3"	65,000
OPT-24SQPCFWVE12V	24"	8"	10"	12"	2"	45,000
OPT-30SQPCFWVE12V	30"	12"	10"	15"	3"	65,000
OPT-36SQPCFWVE12V	36"	12"	12"	18"	3"	65,000

Fire Pit Material: Powder Coat
Pan Material: 304 Stainless Steel
Burner Material: 304 Stainless Steel

12V ELECTRONIC IGNITION
ANSI Z21.97-(2017) / CSA 2.41-(2017)



Includes: Bowl, Pan, Burner, Scupper, Whistle Free Hose, NG Orifice OR LP Air Mixer, Black Lava Rock.