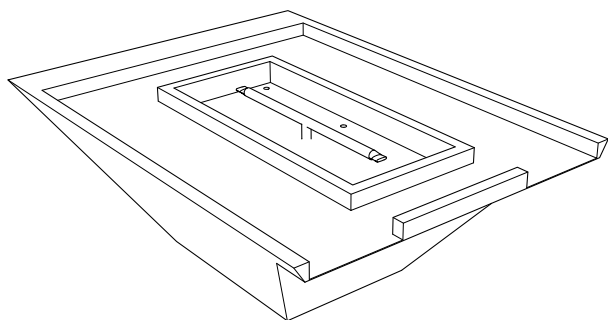
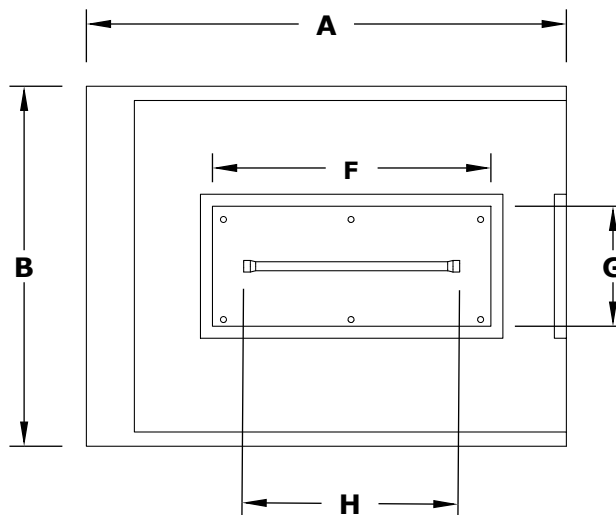


# NILE FIRE & WATER BOWL

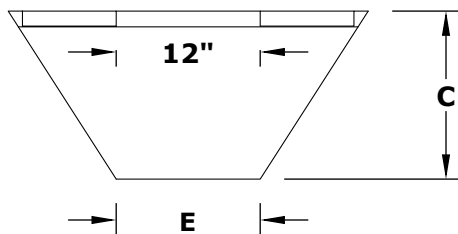
Hammered Copper



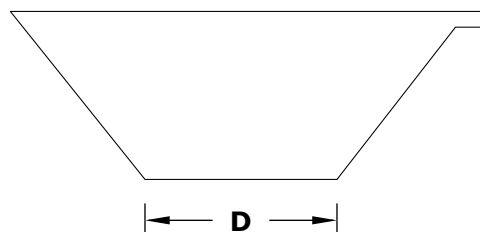
**ISOMETRIC VIEW**



**TOP VIEW**



**RIGHT SIDE VIEW**



**FRONT SIDE VIEW**

PART NUMBER	A	B	C	D	E	F	G	H	GPM	BTU
OPT-24NLCPF	24"	32"	14"	14"	9"	18"	6"	12"	20	20,000
OPT-24NLCPFE12V	24"	32"	14"	14"	9"	18"	6"	12"	20	20,000
OPT-30NLCPF	30"	40"	14"	16"	12"	24"	10"	18"	20	30,000
OPT-30NLCPFE12V	30"	40"	14"	16"	12"	24"	10"	18"	20	30,000
OPT-36NLCPF	36"	48"	14"	18"	15"	32"	16"	24"	20	40,000
OPT-36NLCPFE12V	36"	48"	14"	18"	15"	32"	16"	24"	20	40,000

Bowl Material: Hammered Copper  
 Pan Material: 304 Stainless Steel  
 Burner Material: 304 Stainless Steel  
 Standard 2" Depth on all pans  
**12V ELECTRONIC IGNITION**  
 ANSI Z21.97-(2017) / CSA 2.41-(2017)



Match Lit Unit Includes: Pan, Burner, Gas Orifice, Gas Hoses, Key Valve, Key,  
 12v Ignition Unit Includes: Pan, Burner, Gas Orifice, Gas Hoses, Key Valve, Key, Plug & Play Electronic Valve, Pilot Igniter.