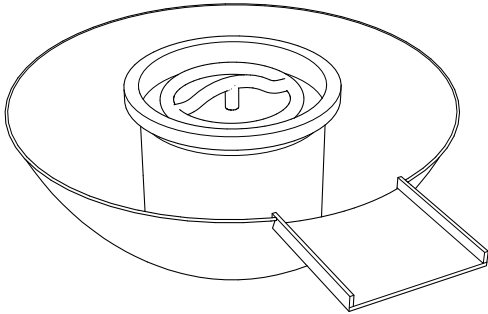
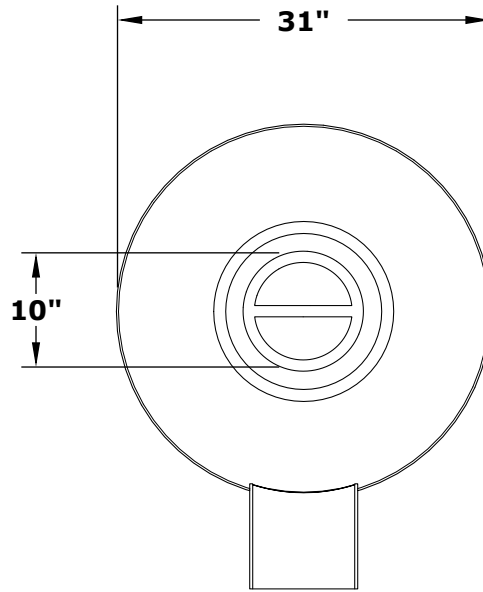


REMI FIRE & WATER BOWL - GRAVITY SPILL

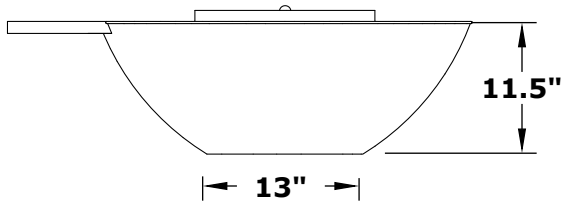
OPT-31RCFWGS
OPT-31RCFWGSE12V



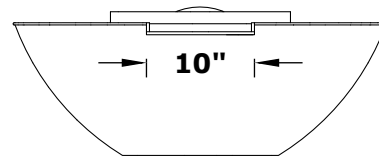
ISOMETRIC VIEW



TOP VIEW



RIGHT SIDE VIEW



Smooth Flow
Water Fitting
(1 1/2" Connection)

FRONT SIDE VIEW

Bowl Material: Hammered Copper
Pan Material: 304 Stainless Steel
Burner Material: 304 Stainless Steel
Standard 2" Depth on all pans
12V ELECTRONIC IGNITION
ANSI Z21.97-(2017) / CSA 2.41-(2017)



Match Lit Unit Includes: Pan, Burner, Gas Orifice, Gas Hoses, Key Valve, Key,
12v Ignition Unit Includes: Pan, Burner, Gas Orifice, Gas Hoses, Key Valve, Key, Plug & Play Electronic Valve, Pilot Igniter.