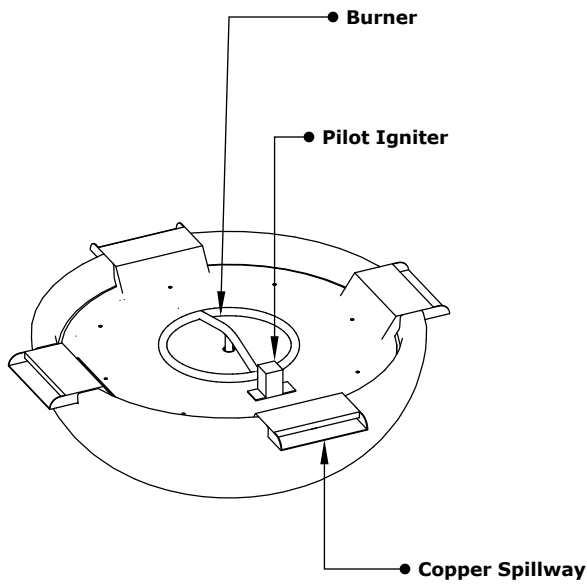
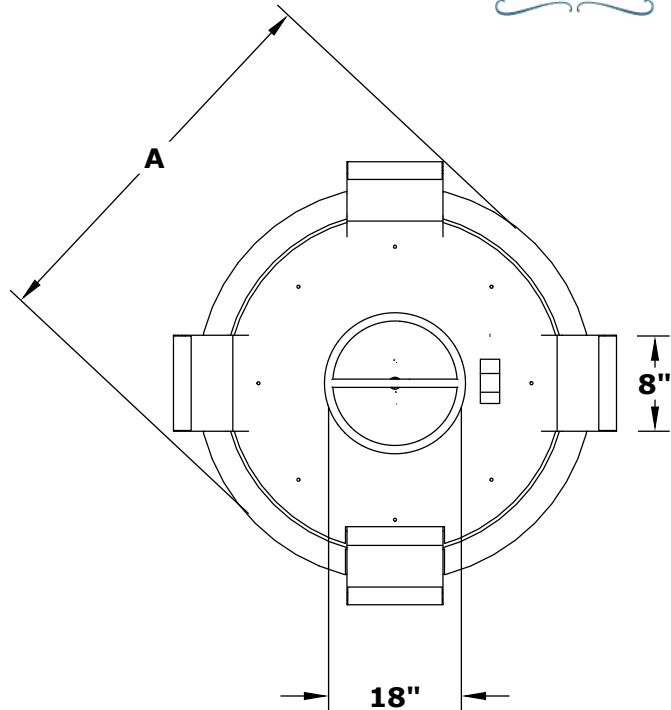


# SEDONA FIRE & WATER BOWL - 4 WAY SPILL

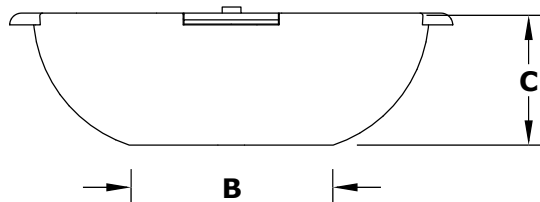
GFRC CONCRETE



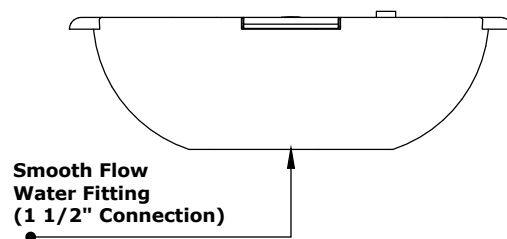
ISOMETRIC VIEW



TOP VIEW



RIGHT SIDE VIEW



FRONT SIDE VIEW

PART NUMBER	A	B	C	GPM	BTU
OPT-46RFW4W	46"	24"	16"	40	65,000
OPT-46RFW4WE12V	46"	24"	16"	40	65,000
OPT-60RFW4W	60"	38"	15"	40"	65,000
OPT-60RFW4WE12V	60"	38"	15"	40"	65,000

Fire Bowl Material: GFRC Concrete  
Pan Material: 304 Stainless Steel  
Burner Material: 304 Stainless Steel  
Standard 2" Depth on all pans  
**12V ELECTRONIC IGNITION**  
ANSI Z21.97-(2017) / CSA 2.41-(2017)



Match Lit Unit Includes: Pan, Burner, Gas Orifice, Gas Hoses, Key Valve, Key,  
12v Ignition Unit Includes: Pan, Burner, Gas Orifice, Gas Hoses, Key Valve, Key, Plug & Play Electronic Valve, Pilot Igniter.