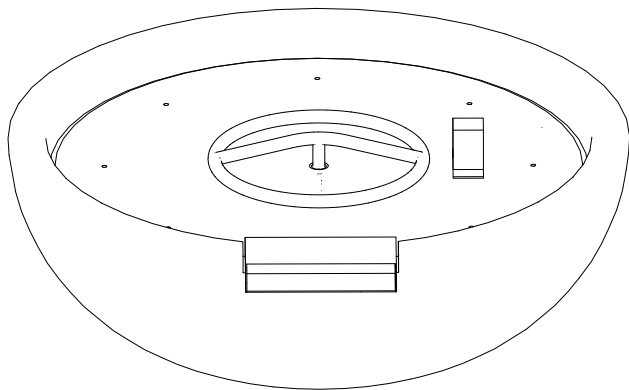
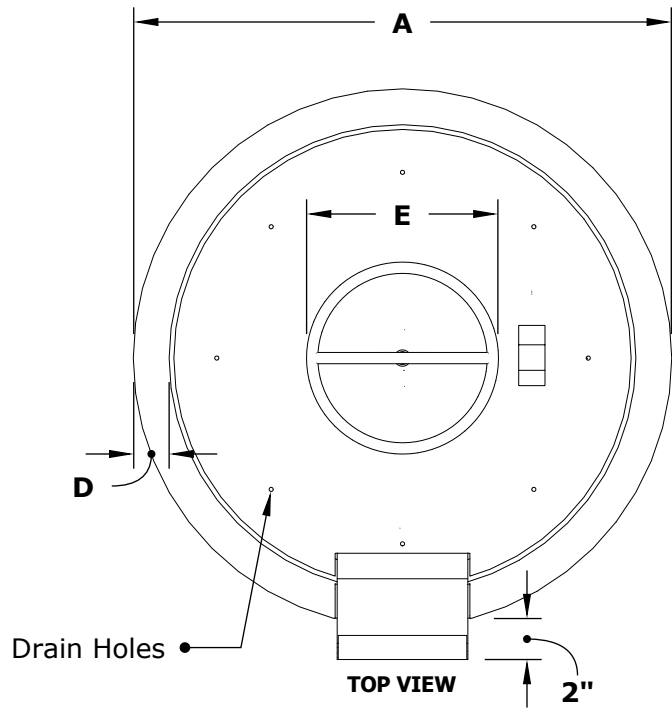


# SEDONA FIRE WATER BOWL - WOOD GRAIN



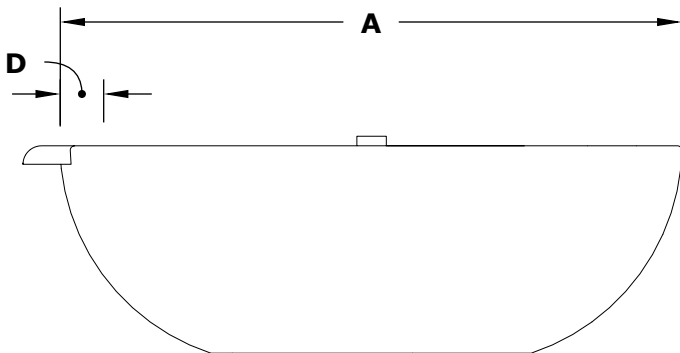
ISOMETRIC VIEW



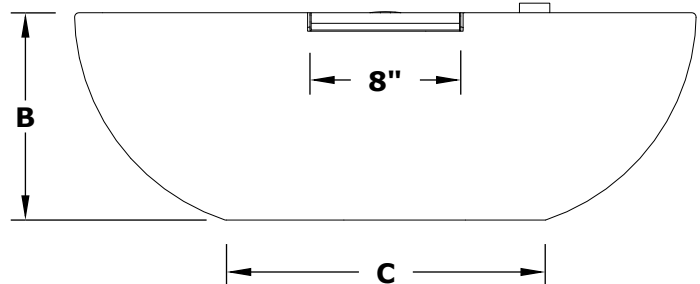
Drain Holes

TOP VIEW

2"



RIGHT SIDE VIEW



FRONT SIDE VIEW

SKU	A	B	C	D	E	BTU
OPT-27RPCFW	27"	10"	12"	1.75"	8"	45,000
OPT-27RPCFWE12V	27"	10"	12"	1.75"	8"	45,000

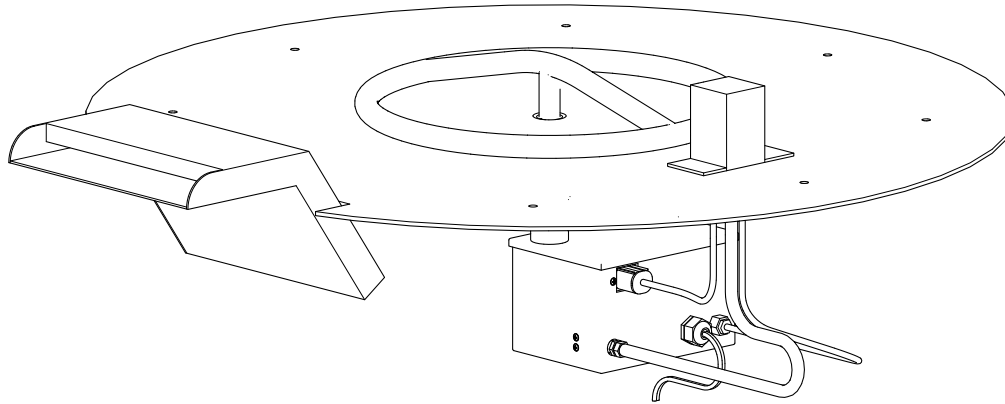
Fire Bowl Material: GFRC Concrete  
 Finish: Smooth Finish  
 Pan Material: 304 Stainless Steel  
 Burner Material: 304 Stainless Steel

**12V ELECTRONIC IGNITION**  
 ANSI Z21.97-(2017) / CSA 2.41-(2017)

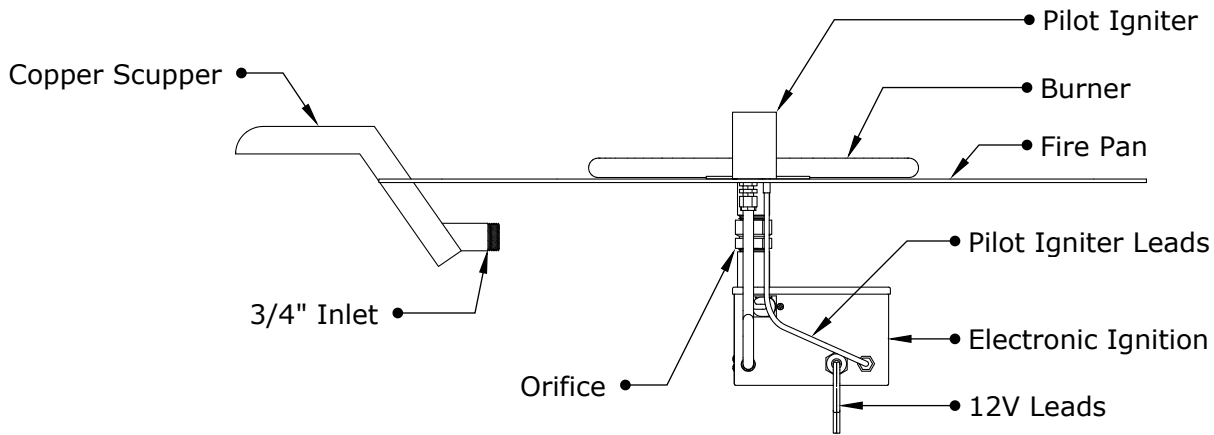


Includes: Pan, Burner, Key Valve, Whistle Free Hoses, Black Lava Rock.

# SEDONA FIRE WATER BOWL COMPONENT OVERVIEW



ISOMETRIC VIEW



FRONT SIDE VIEW

## 12V ELECTRONIC IGNITION

ANSI Z21.97-(2017) / CSA 2.41-(2017)

