

FT-211 Pallisades Fountain

Three people are recommended for the installation of this fountain!



FOUNTAIN INFORMATION:

This fountain holds approximately 12.5 gallons of water.

This fountain uses an extra-large fountain cover.
(FTNCOV-XLG)

Compatible with #10 Refill Device and LED kits
(A special stopper is required to use the refill kit for this fountain.)

Pump Kit Parts List

PK500 Pump (1)
#10 stopper (1)
Approx. 12" length of 1/2" Black Non-Kink tubing (1) **
2" length of 5/8" clear tubing (1) **
2" length of 1/2" CPVC pipe (1) **
Copper Spiller (4)
2.8 oz tube of silicone (1)
Wedges (2)
Hose clamps (1) *

* Hose clamps may be used as flow restrictors

** Tubing is preassembled

TOOLS REQUIRED:

Bubble Level



PUMP INFORMATION:

OEMPF525 - 525 GPH Pump
16 FT cord length

- W I N T E R C A R E -

Fountain bowls/tops and other fountain components, which collect water, should not be left outside in the winter since any component, which fills with water and freezes may crack. Likewise, components such as pedestals, which remain in a basin, filled with water, which then freezes, may also crack or crumble. Ideally, therefore, a fountain should always be stored indoors or in a dry protected place such as a covered porch away from the elements. However, if a fountain must be left outside:

- (1) Remove pump, rubber stoppers, drainpipes, finials, and other small components for storage indoors. Note that stoppers or drainpipes are removed to allow drainage in the event water accumulates in any basin.
- (2) Raise fountain base from ground with wood strips so that base will not freeze to the ground surface.
- (3) Cover or wrap the fountain with burlap or other absorbent material (old blanket or towel) and then cover securely with plastic, making sure that water will not accumulate in the basin or other fountain component and freeze;
- (4) Check fountain periodically to ensure that plastic is secure and water is not accumulating in any fountain component.

- G E N E R A L F O U N T A I N T I P S -

Install fountains on a level surface. You will need a properly grounded 110-volt (AC only) GFCI protected receptacle near the fountain for your pump. All pumps are submersible and must be completely underwater to function properly. Test all pumps and adjust to full output prior to assembly. It is not recommended that fountains be placed directly on grass or dirt. Position the channel opening at the base of each fountain toward the electrical outlet to be used since the pump cord will be threaded through this opening.

All of our cast stone is proudly

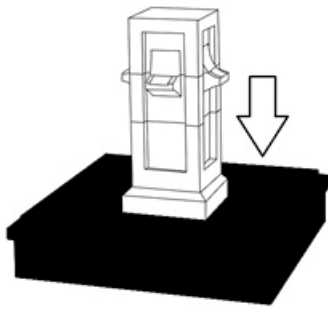


Made in USA

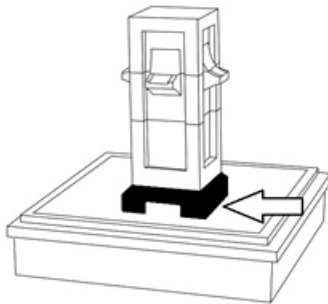
FT-211 Pallisades Fountain

Three people are recommended for the installation of this fountain!

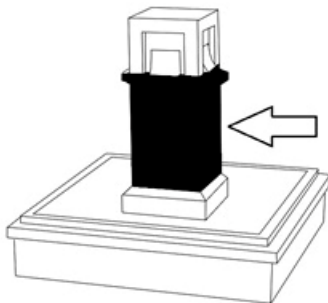
Assemble your fountain on level surface capable of holding a minimum of 731 pounds with an approximate 9.5 square foot footprint.



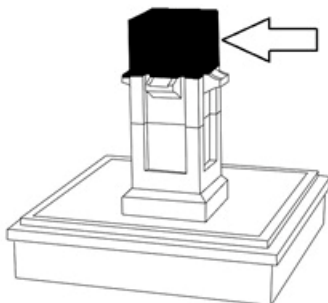
FT-111C (407 lbs)
37"L x 37"W x 10"H



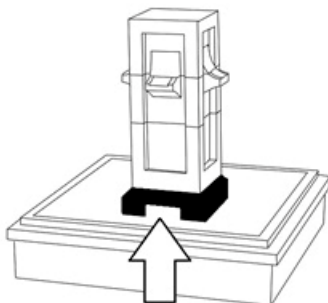
FT-143C (58 lbs)
13.5"L x 13.5"W x 8"H



FT-211B (98 lbs)
14"L x 14"W x 17"H



FT-211A (57 lbs)
10.75"L x 10.75"W x 8"H



FT-143D (5 lbs)
5.75"L x 3.75"W x 5"H

1. Place the basin (FT-111C) into position where the fountain will be installed, ensuring that it is level.
2. Assemble the pump kit
 - a. Use a hose clamp to attach the non-kink tubing to the pump water outlet.
 - b. Place the stopper around the pump cord approximately 8 inches from the pump.
3. Feed the pump cord through the hole in the basin (FT-111C) and the channel.
4. **FIRMLY** press the stopper into the hole evenly.
 - a. Note: Using the handle of a screwdriver or hammer works best to press the stopper in place.
5. Place the pump house (FT-143C) over the pump in the center of the basin (FT-111C).
6. Position the water feature (FT-211B) over the pump house (FT-143C).
7. Insert the CPVC end of the tubing assembly into the pipe protruding from the bottom of the water feature (FT-211B).
8. Center and level the water feature (FT-211B) on top of the pump house (FT-143C).
9. Run a thin bead of silicone along the top-inner most edge of the water feature (FT-211B).
10. Place the cap (FT-211A) into the water feature (FT-211B).
11. Use the silicone provided to attach the copper spillers
12. Clean away any excess silicone.
13. Fit the pump house door (FT-143D) into the pump house (FT-143C).
14. Let the fountain sit 24 hours before filling with water.