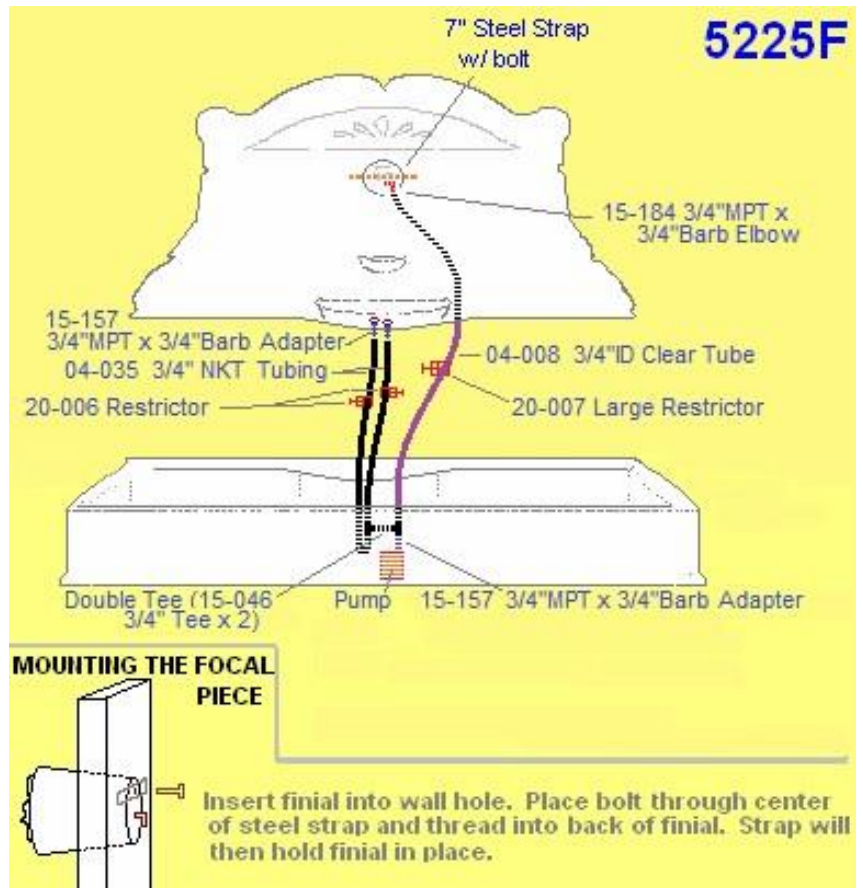




5225*F3 SET UP INSTRUCTION

- 1) Locate a suitable site for your new fountain. Make sure the site is firm and level. You should always follow local electrical codes and use a GFCI protected outlet. *(This fountain is very heavy. Make sure you have enough help for a safe assembly.)*
- 2) Set the 6228 Basin on prepared site, angled to provide best viewing position.
- 3) Place the pump in the basin and let its power cord drape over the back of the basin.



- 4) Thread one of the 3/4" barbed straight adapters into the pump.
- 5) You should find a double tee (two tees connected by a short tube) in your parts kit. Attach the kit's longest (clear) and shortest (black) tubes across from each other on one of the tees. Attach the other two tubes on the other tee. Push the open end of the shortest tube onto the pump.
- 6) Attach the three flow restrictors to the other three tubes, tightening just enough to hold them in place. (The larger restrictor should be placed on the clear tube.) Then drape the clear tube over the back of the basin just as you did with the power cord.
- 7) With help, carefully set the 5224 Wall unit on the back of the basin.
- 8) Thread the two remaining barbed adapters up underneath the center spill area at the bottom of the wall unit. Then, push the open ends of the two black tubes onto the barbs.

- 9) Have one person hold the 5224A,B,C,D,or E stone plaque focal piece in the center hole while another person behind the wall threads the bolt through the steel strap and tightens it, to secure the plaque in place (see lower part of drawing).
- 10) Thread the barbed elbow into the focal piece. Then push the clear tube onto the elbow's barb.
- 11) Fill Basin with water. Place 6225AD access door in front of the pump, to hide it. Read pump instructions and plug into GFCI outlet to enjoy your fountain. Tighten flow restrictors as desired to balance the water flow to your taste.

IMPORTANT – WINTER CARE

Winter ice build-up can cause damage to concrete statuary. Follow these tips to reduce winter weathering to your fountain:

- * Disconnect power to pumps and lights.
- * Remove plugs / stoppers in all fountain bowls to open drains and let all moisture out. Keep drains open throughout winter.
- * Place an absorbant material like burlap, blankets, etc. inside vases/bowls and cover all with a Henri fountain cover.
- * Do not allow snow or ice to build up on or against the concrete. Remove snow before it turns to ice. Do not use salt or chemical ice removers as these may damage concrete.

Warning: Do not use chlorine or bleach in your fountain as it is likely to damage the fountain's painted or stained finish.