



## **SET UP INSTRUCTION for 5715F2L**

1) Prepare a suitable location for your new fountain, with a firm and level surface.

2) Always follow local electrical codes. Make sure to connect to a safe GFCI circuit.

3) Place the fountain's basin unit on its finished location. Notice that one side of the basin bottom has a groove to allow power cords out. Face that side closest to your power source.

4) Slip the AB870 light, cord first, into the top of the 5715L fountain top. Pull the cord all the way through and let the light nest in the top opening of the 5715L.

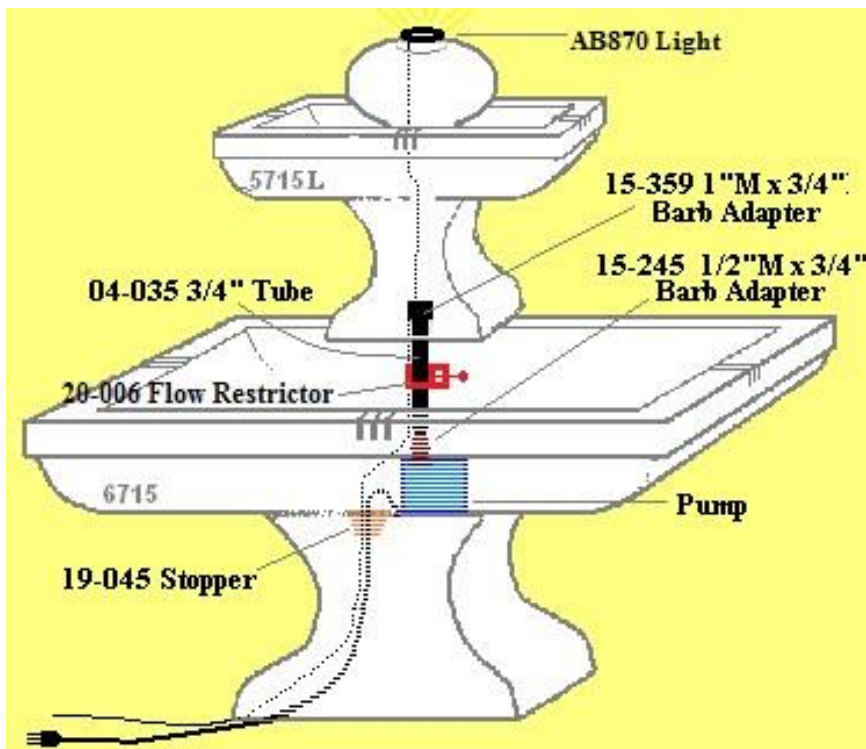
5) The 15-359 Barb Adapter has a slot in the threaded portion which fits the light cord. With this Barb Adaptor held below the fountain top, place the light cord into the slot and thread the Barb Adaptor into the threaded coupling on the underside of the fountain top.

6) Push one end of the 3/4" water tube over the barb of the 15-359 Barb Adapter. Slip the 20-006 Restrictor a few inches over the other end of the tube and tighten enough to keep it in place. (Later, when running your fountain, you can tighten this restrictor more if you wish to slow down your water flow.)

7) With the help of a second person, hold the fountain top close to the basin (or carefully rest it on the basin). Drop the light power cord down through the basin hole and pull out from under the basin. Place the pump in the center of the basin. Push its cord down through the basin hole, also pulling it out from under the basin.

8) Place the two-holed rubber stopper on the pump cord about 7" to 10" from the pump body. The larger end of the stopper should be closest to the pump. Then, insert the power cord from the light into the stopper's other hole. The length of the light cord from the light should be longer than the water tube. Press the stopper down into the hole to make a water tight seal. The top of the stopper should remain 1/8" above the concrete floor.

9) Thread the 15-245H adapter into the pump. Push the open end of the water tube over the pump adapter.



10) Gently set the fountain top in place in the basin. Fill the bowl unit with water to about 1" from the top. Read your pump and light instructions. Then, connect the light power cord to the transformer provided and plug in the transformer and pump to enjoy your fountain. Two shims are provided in case you want to adjust the level of fountain top piece. If the pump does not immediately begin working, there may be an "airlock" within the impeller chamber. Simply unplug and plug in a few times and it should start. Csd  
2/20

Caution: The use of Chlorine or Chlorine Bleach or water coloring additives may damage the finish of your fountain.

#### **IMPORTANT – WINTER CARE**

Winter ice build-up can cause damage to concrete statuary. Follow these tips to reduce winter weathering to your fountain:

- \* Disconnect power to pumps and lights.
- \* Remove plugs/stoppers in all fountain bowls to open drains and let all moisture out. Keep drains open throughout winter.
- \* Cover with a Henri fountain cover. Keep tight and do not let snow or water collect in sagging areas.
- \* Do not allow snow or ice to build up on or against the concrete. Remove snow before it turns to ice. Do not use antifreeze, salt or chemical ice removers as these may damage concrete.