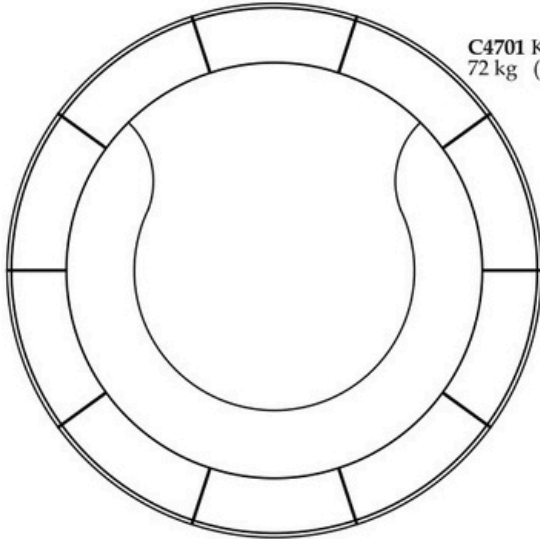
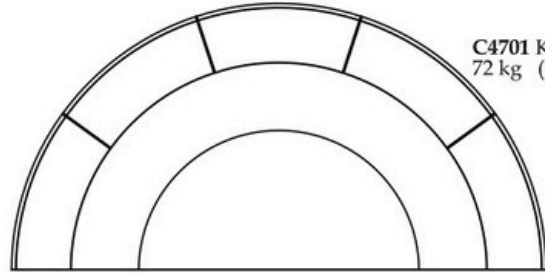


## ROMAN POOL SURROUND

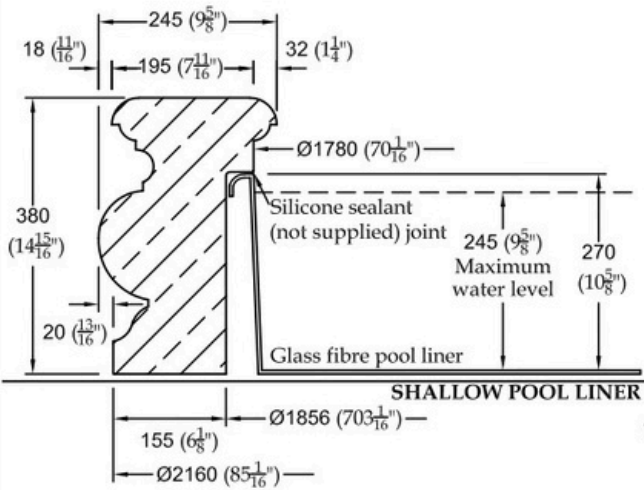
### SMALL POOL C470S AND HALF SMALL POOL C470HS



**C4701 KERB**  
72 kg (159 lbs)

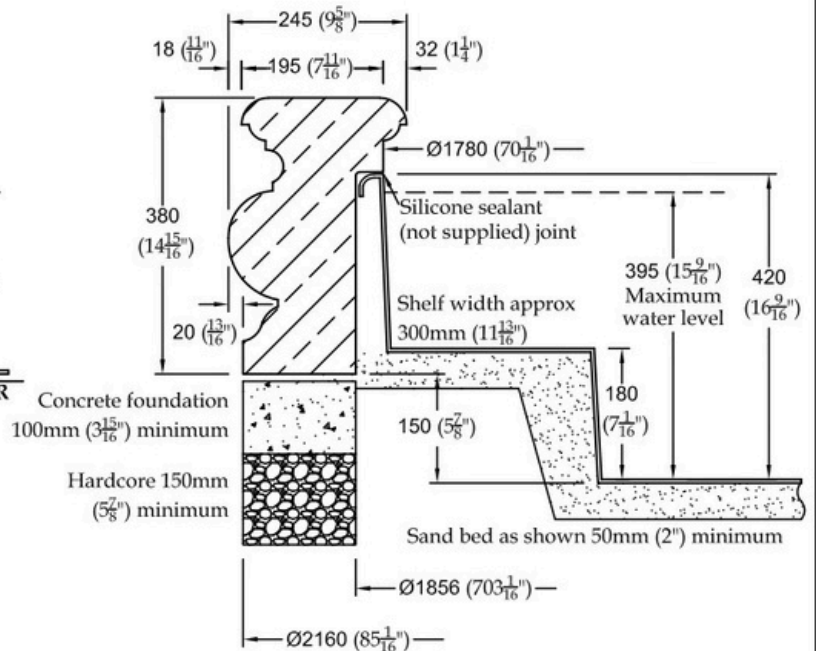


**C4701 KERB**  
72 kg (159 lbs)



Liner capacity to maximum water level:  
 Small pool: 680 Litres (180 US gallons)  
 Half pool: 340 Litres (90 US gallons)

POOL LINER CODES:  
 X400 Small pool  
 X410 Half small pool  
 X430 Small pool (shallow)  
 X425 Half small pool (shallow)



Liner capacity to maximum water level:  
 Small pool: 910 Litres (240 US gallons)  
 Half pool: 425 Litres (112 US gallons)

Unless otherwise stated, all materials other than stonework to be supplied by others