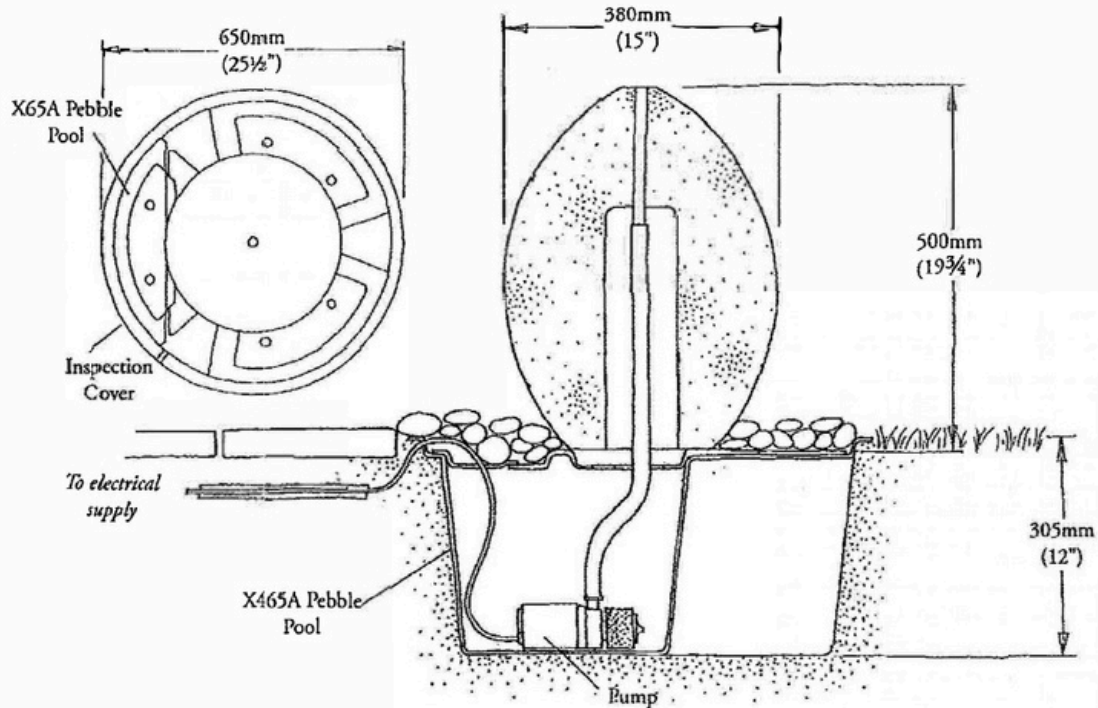


**TYPICAL SMALL PEBBLE POOL ASSEMBLY  
SHOWN WITH SPIRAL EGG FOUNTAIN GC121**



Electrical supply needs to conform with regulations/codes.

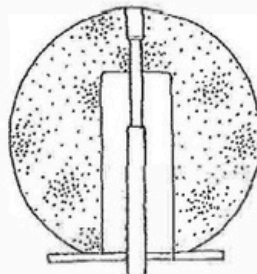
If in doubt consult an electrician.

Precautions should be taken to prevent damage from water freezing in reservoir.

To ease connections hot water may be used to soften PVC tubing.

Pump and plumbing details may vary.

**OTHER CENTREPIECE FOUNTAIN OPTION GC161:**



For Ball Fountain  
GC161