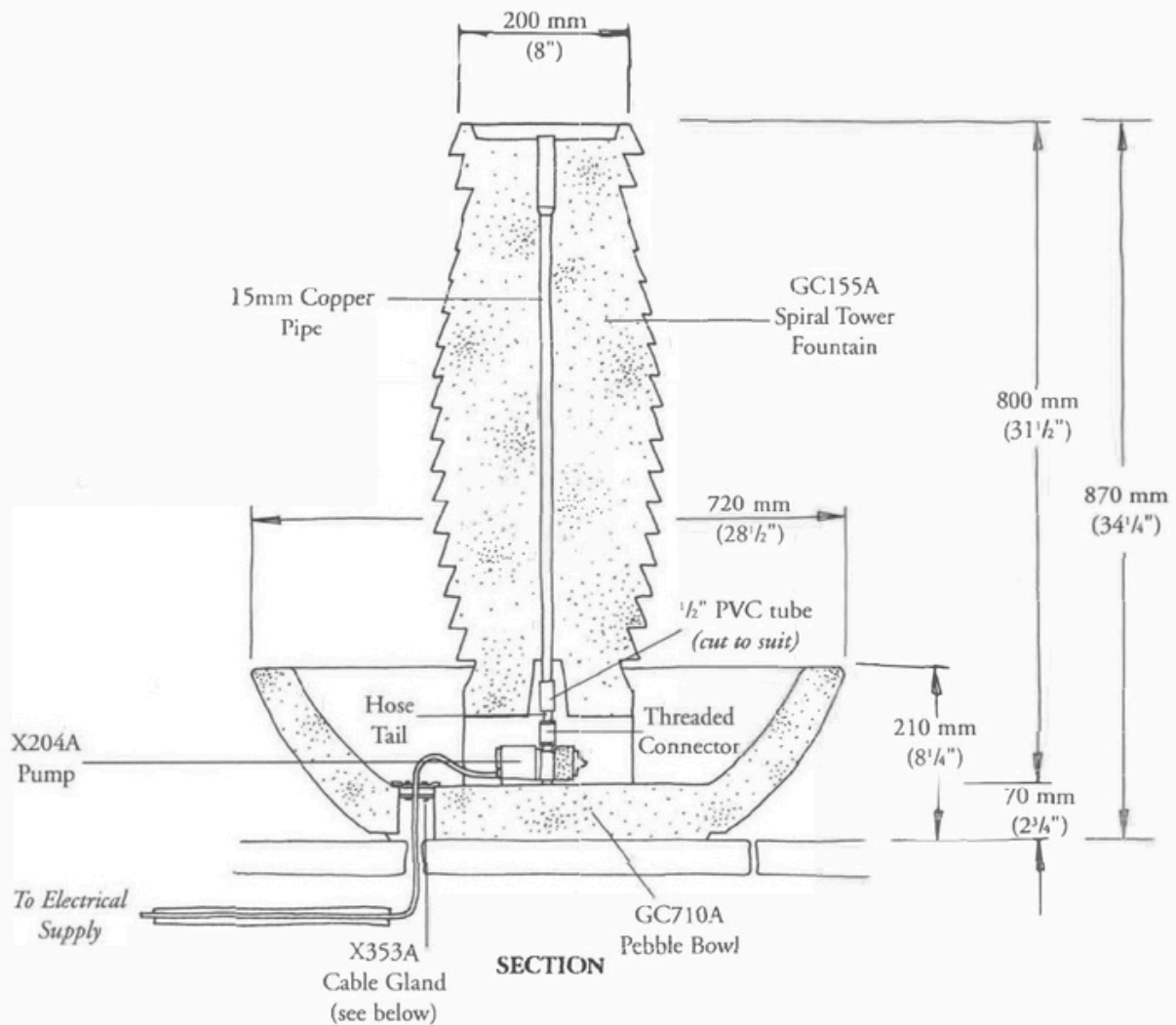


**TYPICAL PEBBLE BOWL ASSEMBLY**  
 SHOWN WITH SPIRAL TOWER PEBBLE BOWL FOUNTAIN GC157



Cable Gland - Remove brass plug and pass electrical cable through gland. Top plates must be attached to bottom plates at 90° to achieve seal. Tighten bolts using 4mm allen key/hex wrench.  
 Electrical supply needs to conform with regulations/codes. If in doubt consult an electrician.  
 Precautions should be taken to prevent water freezing in reservoir.  
 To ease connections hot water may be used to soften PVC tubing. Pump and plumbing details may vary.