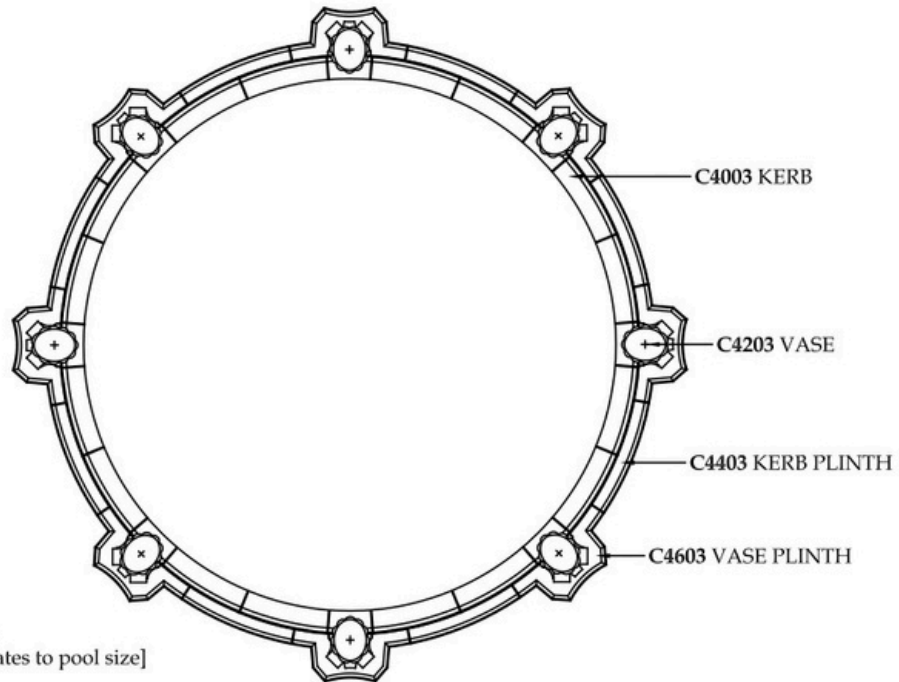
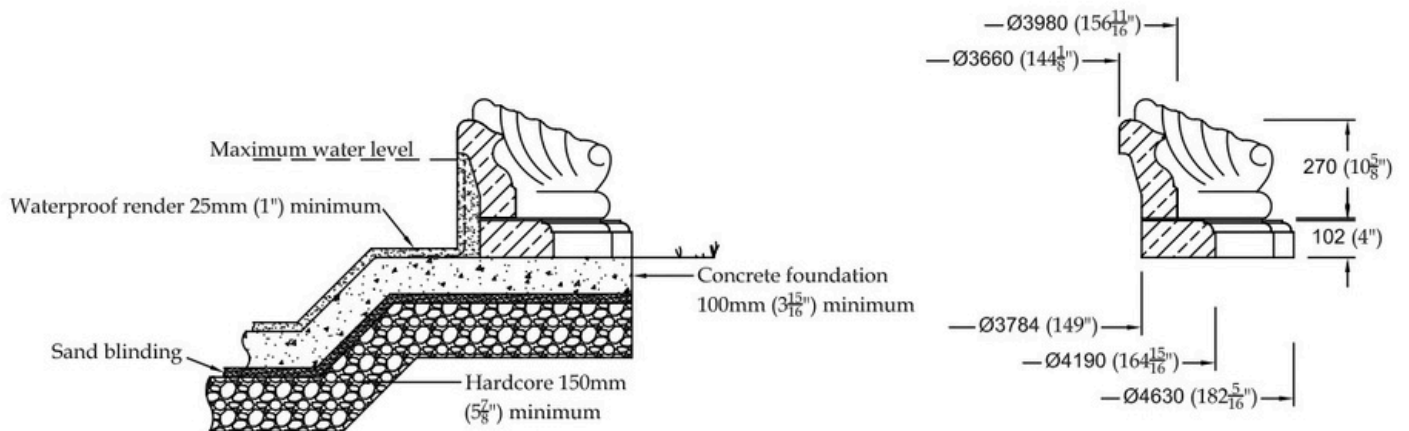


LARGE POOL C4L



For component listing see catalogue
 [Note: Last digit of product code relates to pool size]



Read in conjunction with tech Sheet P11, P12 and P50
 All dimensions exclude joints - allow 6mm (¹/₄") for vertical and bedding joints
 Unless otherwise stated, all materials other than stonework to be supplied by others