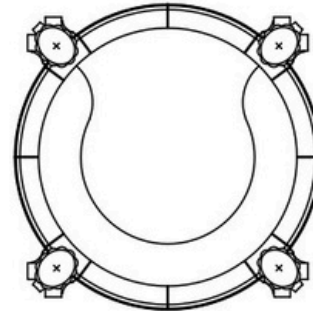
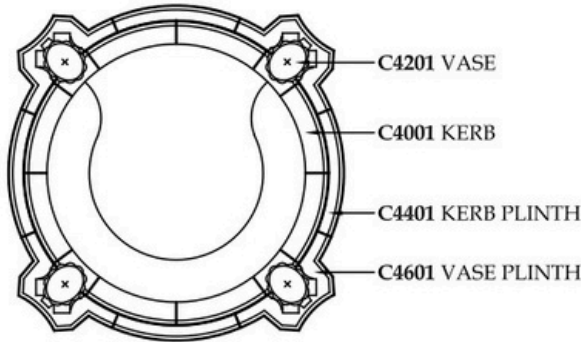
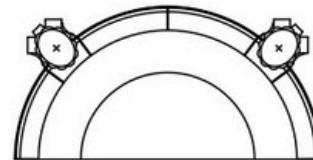
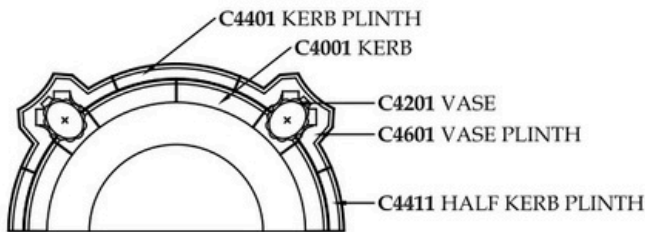


### SMALL POOL C4S AND HALF POOL C4HS

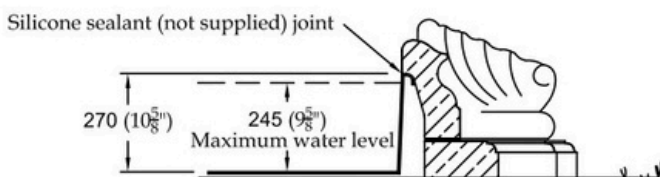
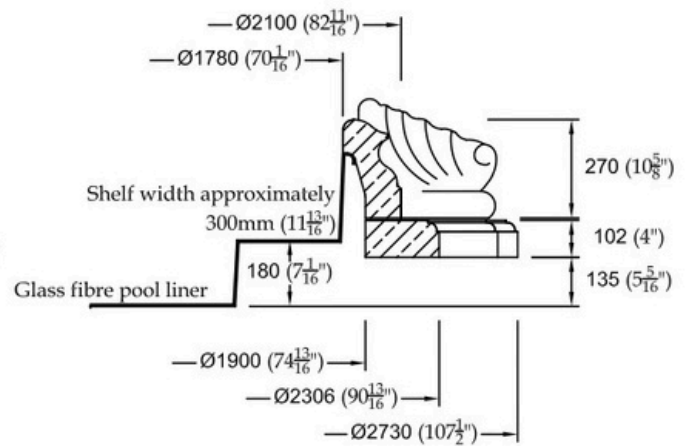
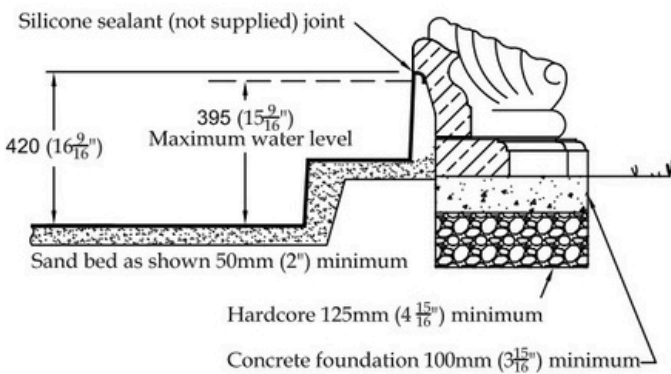


Without plinth sections



Without plinth sections

For component listing see catalogue  
 [Note: Last digits of product code relate to pool size]



#### SHALLOW POOL LINER

Liner capacity when filled to maximum water level:

X400	Small pool	910 lts	(240 US gallons)
X430	Half pool	425 lts	(93 US gallons)
X410	Small pool (shallow)	680 lts	(180 US gallons)
X425	Half pool (shallow)	340 lts	(90 US gallons)

Read in conjunction with Tech Sheet P41 and P42

All dimensions exclude joints - allow 6mm (1/4") for vertical and bedding joints  
 Unless otherwise stated, all materials other than stonework to be supplied by others