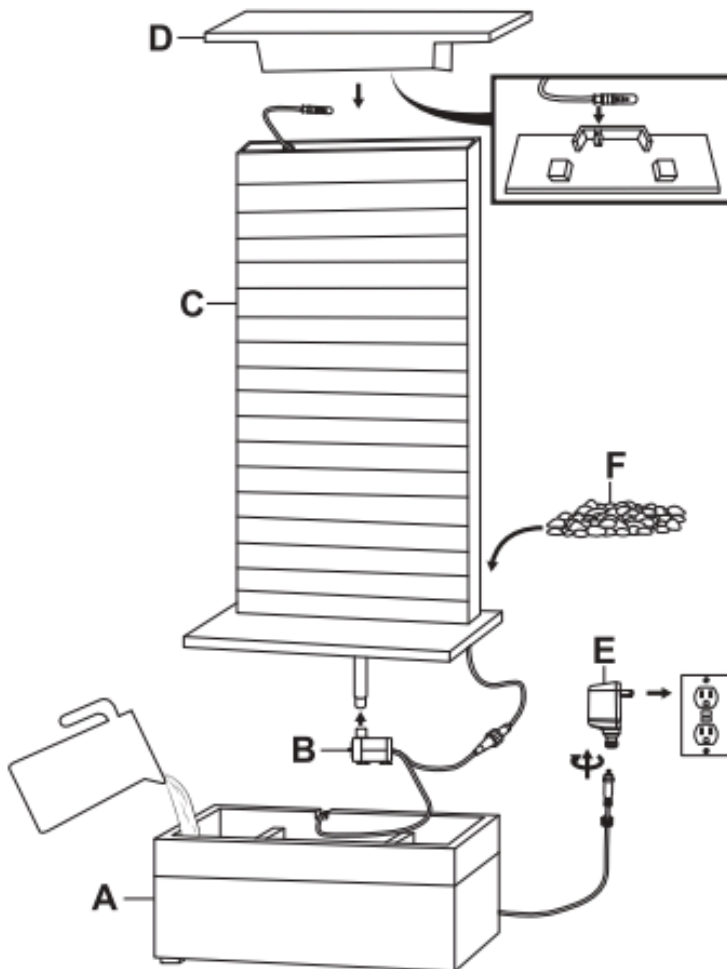




# SLATE RIDGE OUTDOOR WATER FOUNTAIN GSI-5991

Review all assembly and care information before using this product. Save this manual for future reference.

Select a smooth, level surface to place the fountain. Assemble components on a soft, clean surface to avoid scratching or damaging the finish.



Inspect packaging to ensure all parts are accounted for before disposing of packing materials.  
Save the packing slip.

No.	PARTS	QTY.
A	Basin	1
B	Electric Submersible Pump w/ LED Finger Light	1
C	Fountain Body	1
D	Topper	1
E	AC Adapter	1
F	Decorative Stones	1 PK

## IMPORTANT NOTES:

Use care when unpacking and assembling this fountain. Before assembly, check the basin for leaks. The sealant used to join the slate pieces can crack if the fountain is not handled with care. Simply add water and wait to see if water begins to leak. If a leak is discovered, contact an expert at your local hardware store for an appropriate sealant and carefully follow the sealant manufacturer's instructions to seal the leak.

The water tubing is built into the fountain body. Take care when handling the water tube; detaching the water tube will damage the fountain and void the product warranty.

The light and light cable are rated for contact with water. Use care when handling the light, dropping the light may cause the light to burn out prematurely.

Slate is a natural product; the colors and texture of each piece are unique, no two fountains will look the same. Each piece is cut from a large slab of slate. Spalling (flaking) may occur during production, naturally over time, and/or if slate is dropped. **Variations in the natural characteristics of slate are not a cause for return.**

**WARNING:** THE ONE-YEAR WARRANTY DOES NOT COVER DAMAGES OR DEFECTS CAUSED BY THE APPLICATION OF CHEMICAL TREATMENTS, PROTECTIVE COATINGS, SEALANTS OR CLEANING PRODUCTS.

## ASSEMBLY

1. Connect Pump (B) to the water tube on Fountain Body (C).
2. Ensuring the pump power cord runs over the groove on the back of the basin, place the fountain body onto Basin (A). Connect AC Adapter (E) to the pump power cord.
3. Attach the finger light to the clip on the underside of Topper (D). Place the topper on the fountain body.
4. Fill the fountain with enough water to keep the pump fully submerged during operation.
5. Plug the power cord directly into a properly grounded GFCI outlet.
6. If necessary, adjust water flow rate using the flow control on the front of the pump. Once water flow is satisfactory, rinse Decorative Stones (F) with clean water and gently arrange them on the bottom of the fountain body.

**NOTE:** When first plugged in, there may be air trapped in the pump. It may take several moments for trapped air to escape, allowing water to flow.

# Care & Maintenance

- For indoor use only.
- Keep fountain out of reach of children and pets.
- Keep the power cord away from all heat sources. Do not use electrical cords in areas with high temperatures.
- Check the water level frequently to ensure the pump remains fully submerged; never allow the pump to run dry as it will burn out the motor.
- Only use water in this fountain. Distilled water will help prevent mineral buildup but is not required. Avoid heavily chlorinated water as it may damage the fountain and pump.
- Periodically change the water to reduce scale and buildup — clean components regularly for optimal performance and appearance. DO NOT use abrasive materials and harmful additives such as bleach or chlorine to clean the fountain or pump.
- Always unplug the power supply before cleaning and maintaining the fountain and the recirculating pump.
- Take care when handling the pump; only pick it up by the body of the pump, never by the power cord.
- Although this fountain was designed for indoor use, there is potential for splashing or slow leaks. Test the fountain on a water-safe surface. Always protect surfaces that can be damaged by water.

## Troubleshooting

- If water is not flowing within several moments of the fountain being plugged in, ensure the pump is fully submerged underwater. Add water to the reservoir if necessary. The pump may have air bubbles in the filter that can prevent water from circulating properly and can also cause excess pump noise. Unplug the power supply for a few moments and plug it back in.
- Check the flow control on the body of the pump, it may need to be adjusted to achieve the desired water flow rate.
- Inspect the pump and tubing for obstructions.
- Pump noise can be caused by trapped air, low water level, or the pump being too close to the walls of the fountain. While the pump is fully submerged, try gently tapping the pump with your finger to help release the trapped air. Also, try adding water or moving the pump to help reduce noise.
- Make sure the AC adapter is fully connected to the pump power cable. If the light is not working, ensure the cable is fully connected and the seal is adequately tightened (do not over-tighten).
- Make sure the power outlet is working; consult a certified electrician when in doubt about electrical connections.

*If you experience issues with assembly, pump operation, or the product was damaged during shipping, please contact our customer service team through one of the methods mentioned at the top of page 1.*

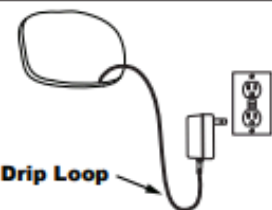
*Please have the item number and order information ready to expedite response time.*



## IMPORTANT SAFETY INFORMATION



- For indoor use only.
- Keep fountain out of reach of children and pets.
- Fountains may splash or leak; always protect surfaces that can be damaged by water.
- Prevent water loss and damage to electrical sockets by ensuring the power cord has a drip loop; refer to the diagram on the right.
- Make sure the power cord is away from areas where it could be a trip hazard.
- Keep power cord away from all heat sources. Do not use electrical cords in areas with high temperatures.
- Check the water level frequently to ensure the pump remains fully submerged; never allow the pump to run dry as it will burn out the motor.
- Always unplug the power supply before cleaning and maintaining the fountain and the recirculating pump.
- Take care when handling the pump; only pick it up by the body of the pump, never by the power cord.



*Drawing is for visual reference only, cord placement and plug type vary by fountain style.*

**Any modification to the product or failure to follow recommended care will void the product warranty.**

## **⚠️ WARNING!**

**Manufacturer and seller expressly disclaim any and all liability from personal injury, property damage or loss, whether direct or indirect, or incidental, resulting from the incorrect attachment, improper use, inadequate maintenance, or neglect of this product.**