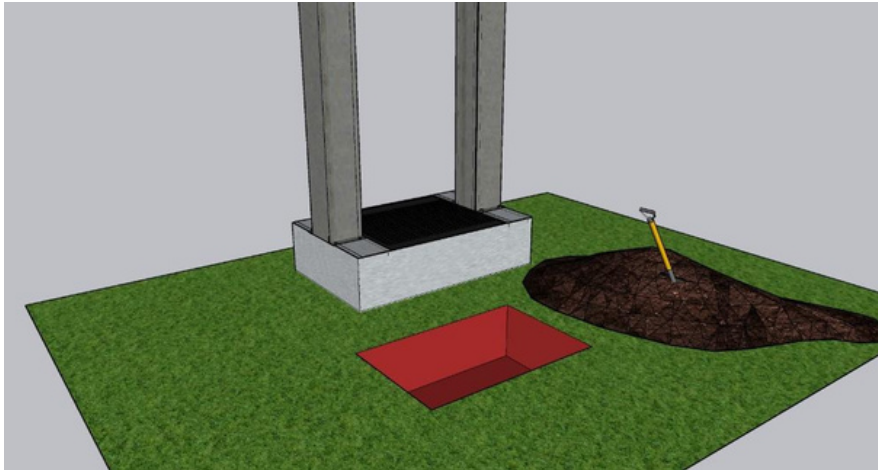


Rain Curtain Water Feature Installation

Thank you very much for purchasing the Rain Curtain water feature. While we are busy building your water feature there are a few things you can do in preparation for the arrival of you water feature. We have designed the Rain Curtain water feature to be as “plug and play” as possible however, If you choose to bury the stainless water basin you will need dig the hole and run the utilities.

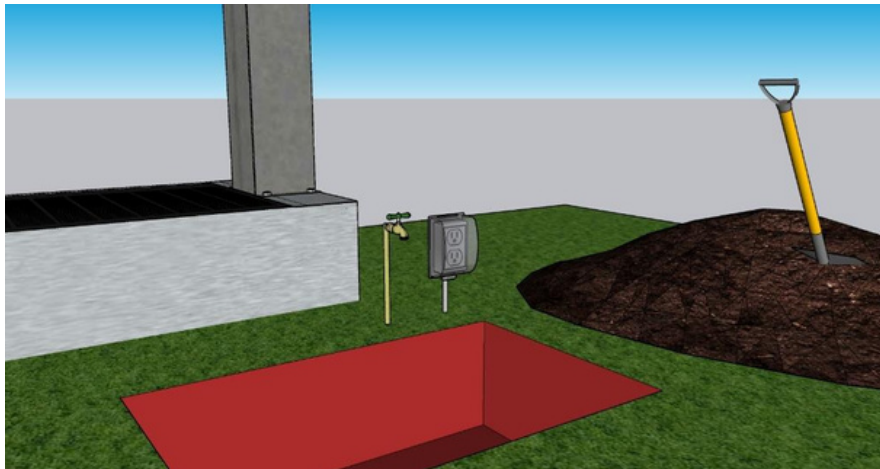
Step 1 – Dig water basin hole

Each Rain Curtain water feature is custom-built to your specified dimensions. The stainless steel water basin is always 30 inches deep and 12 inches high. Its length corresponds to the width of your water feature, plus an additional 1 inch on each side. For example, if your water feature is 60 inches wide, the water basin will be 62 inches wide. To install it, you'll need to dig a hole measuring 62 inches wide, 30 inches deep, and 12 inches high.



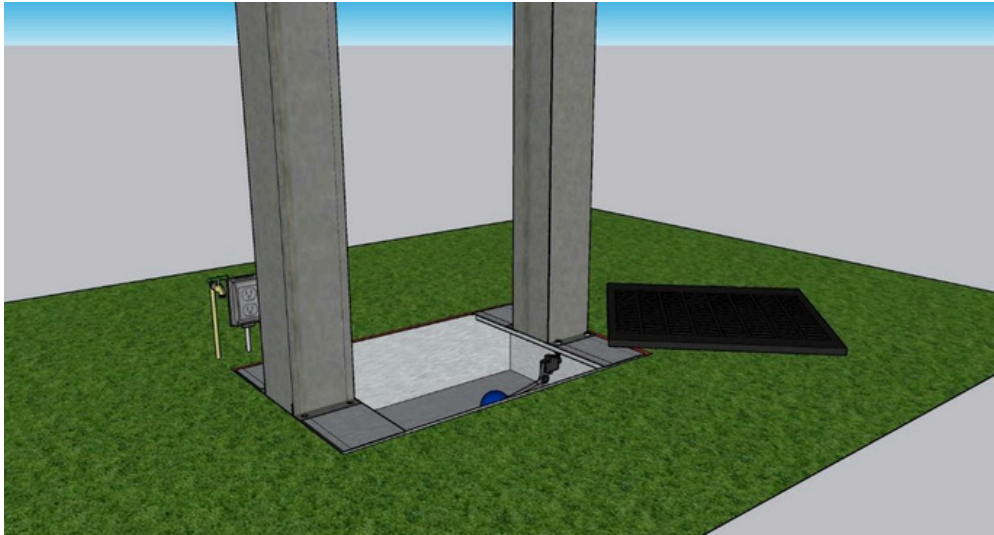
Step 2 – Run water and electric

Depending on your specific situation, you'll be running water and electric to the water feature in order to supply power to the fountain pump and LED lights (if you added them) and off course water for the fountain itself. During the purchase process off your water feature you may have been given the option of choosing which side you'd like the utility access to be located. If not then, your utility access will be on the back right side of the water feature. Check with your local electrician and plumber if you need assistance running the utilities.



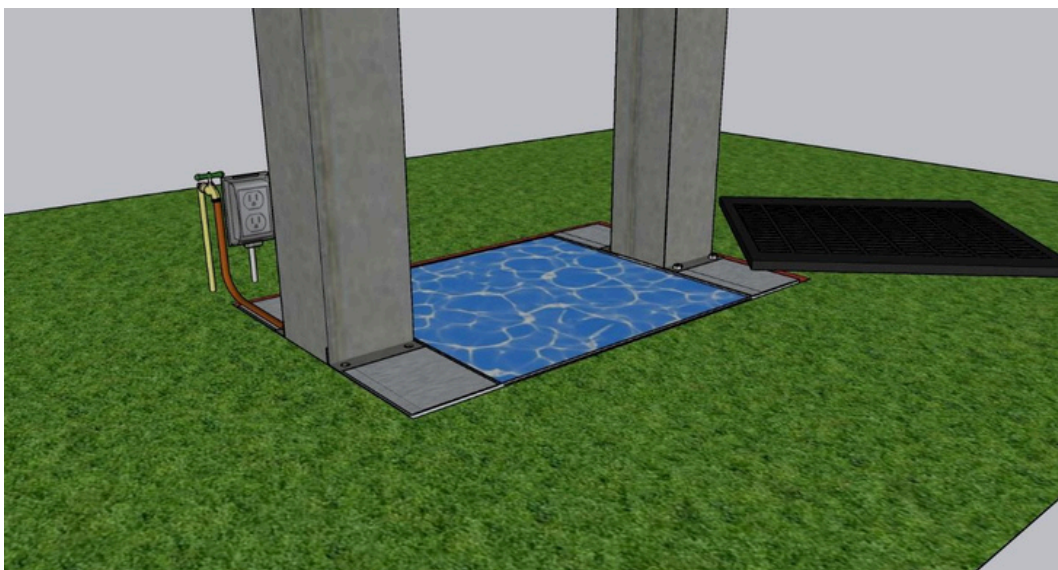
Step 3 – Place water feature in the hole

With the hole complete and the utilities run to the water feature location. Lower the water feature and water basin into the hole. Use a spirit level to make sure the water feature is perfectly vertical. This will ensure that the water falls directly into the water basin. If there is open space between the water basin and the hole, fill with dirt and tamp down. With the water basin securely in the hole. Remove the plastic grating and set it off to the side.



Step 4 – Connect and Fill

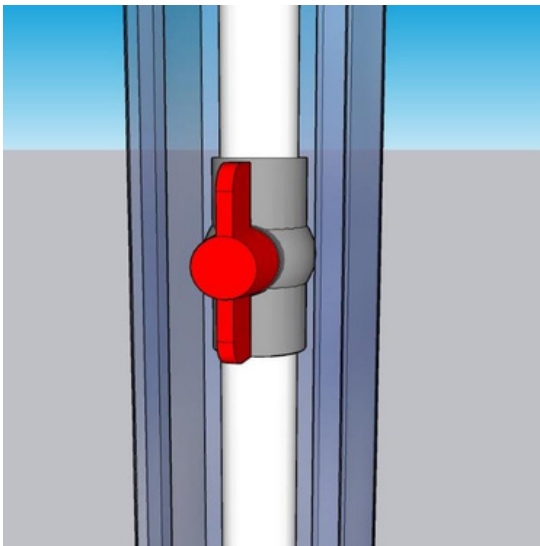
With the plastic grating removed. Reach in and remove the plastic bag that contains the pump warranty paperwork and the remote for the lights if you ordered lights. Connect your water supply to the water supply connection on the back of the water feature. Your water feature came with a standard female garden hose connection which you can use a small piece of garden hose between the water spigot and the hose connection. Or you may have run pvc as your water supply. You will need to purchase an adaptor for garden hose to pvc from your local hardware store. Once the water connection is made, turn on your water and fill up the water basin. Your fountain pump should be fully submerged before plugging in the fountain pump.



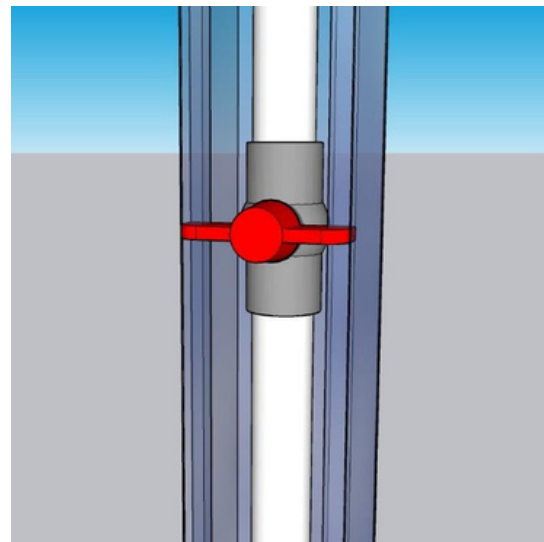
This may take some time as the water will be flowing through the float valve. Lift the float and you'll see the water stop running. Once the water level is to the desired height, adjust your float valve by bending the metal rod connected to the plastic float so the float is forced up by the water level and turns off the flow of water.

Step 5 – Turn on the fountain pump

With the water basin filled with water, plug the fountain pump into the power source next to the water feature. The fountain pump will turn on and begin to prime the system. Within 30 seconds you should start to see the rain curtain begin to "rain" down water into the water basin. To adjust the flow of water, you will need to remove the side panel of the column directly above the fountain pump. Water flow is set before shipping at a medium flow rate. The ball valve that regulates the water flow will have either a blue or red handle. If the handle is parallel to the pvc pipe, the valve is open 100%. If the handle is perpendicular to the pvc pipe, the valve is 100% closed. Like the hour hand on a clock, open valve is 12:00. A closed valve is 3:00. It is suggested that you position the valve at the 1:00 or 2:00 position. Any position beyond a 2:00 position could put undue stress on the pump.



Valve On



Valve Off

Step 6 – Add decorative rock

Once you have filled the water basin, adjusted the water flow and reattached the side panel. Replace the plastic grating back on to the water basin. At this point you may add your decorative rock. Make sure that the rock you add on top of the plastic grating is free of any dirt and debris that may get into the water basin. Once you have spread out a sufficient amount of rock onto the grating, you may want to create a trough or valley of rocks so the “rain” falls into the valley and reduces the amount of splash. This may take a little time to adjust the rocks as some rocks may produce more splash than others so play around with the direction of the rocks to reduce the level of splash.



Maintenance & Care

One of the most common issues that you will encounter with the rain curtain water feature is clogged nozzles. Over time and as debris gets into the water basin and into the pump, the debris will find its way to the nozzles and on occasion clog the opening of the nozzle. The easiest way to clear the clog is to unscrew the nozzle and clear it of any debris with a small pipe cleaner or toothpick and then simply screw the nozzle back into place. If this becomes a reoccurring issue, you may need to flush the rain curtain pipe. Remove the side panel on the column opposite of the pump location. At the end of the rain curtain there is a pvc plug that needs to be unscrewed and removed. Once the plug is removed, turn the pump on and the water will flush out the end of the pvc. Run the water for about 30 seconds, turn off the pump and screw the plug back into the pvc pipe.

If you notice a white build up, this means that your water is “hard” and contains a high calcium content. If this is the case, you will need to treat the water