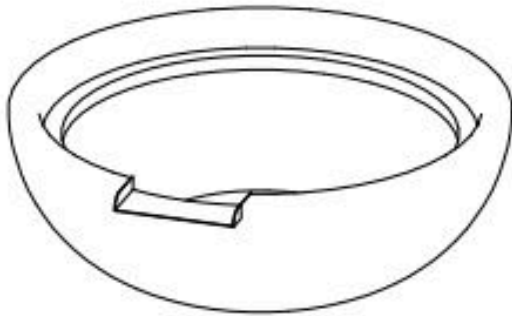
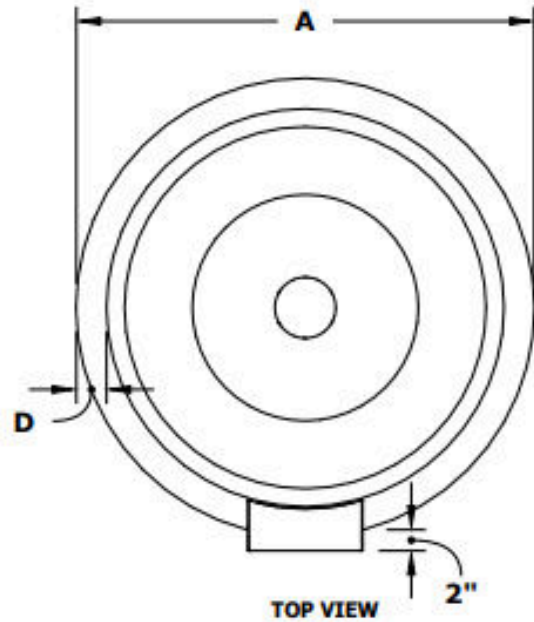


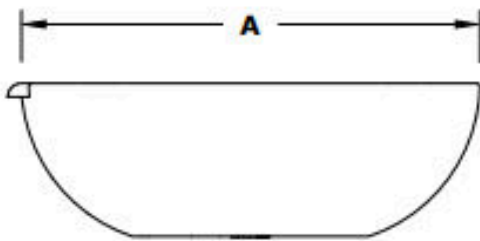
Sedona Water Bowl – GFRC Concrete



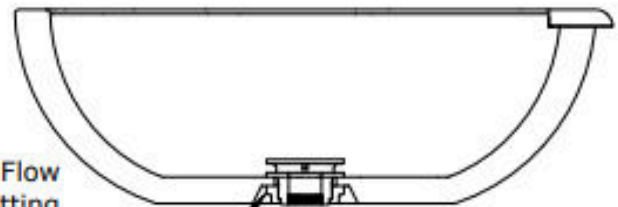
ISOMETRIC VIEW



TOP VIEW

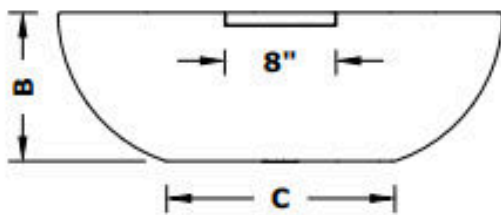


RIGHT SIDE VIEW



Smooth Flow
Water Fitting
(1 1/2" Connection)

SECTION CUT



FRONT SIDE VIEW



1 1/2" Inlet

SKU	A	B	C	D	GPM
OPT-27RWO	27"	10"	12"	2"	7-10
OPT-33RWO	33"	11"	18"	1.5"	7-10

Fire Bowl Material: GFRC Concrete
Finish: Smooth Finish

Includes: Copper Spillway and Water
Fitting Connection