



SUBMERSIBLE PUMP

---

## LIMITED WARRANTY

This product is guaranteed for a period of 12 months from date of purchase for material or manufacturing defects. Certificate of guarantee must be filled out completely by resale dealer and must accompany equipment along with the receipt, in case it is submitted for repair. Guarantee consists in guaranteed substitution of defective parts. Guarantee is considered void in case of improper use, nor does it answer to damages caused by improper handling or negligence on the part of the buyer. All equipment must be sent postage paid.

---

DISTRIBUTED BY:

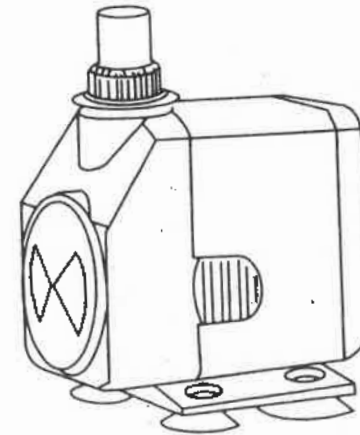
# OWNER'S MANUAL

---

**Model:**

## INTRODUCTION

Fountains Studio pumps are carefully inspected and tested to ensure both safety and operating performance. However, failure to follow the instructions and warnings in this manual may result in pump damage and/or serious injury. Be sure to read and save this manual for future reference.



## WARNING

- Risk of electric shock - This pump is supplied with a grounding conductor and grounding type attachment plug. To reduce risk of electric shock, be certain that it is connected only to properly grounded, grounding-type receptacle.
- To reduce the risk of electrical shock, use only on portable self-contained fountains no larger than 5 feet in any dimension.
- Risk of Electric Shock, Do not remove cord and strain relief. Do not connect conduit to pump.
- This Pump Has Been Evaluated for Use With Water Only
- Reduce risk of electric shock during operation of this pump requires the provision of acceptable grounding.
- Risk of electric shock - This pump has not been investigated for use in swimming pool or marine areas
- Do not connect to any voltage other than that shown on the pump.
- **Always disconnect from electrical outlet before handling the pump.**
- **Don't operate without water.**
- **Operate pump completely submerged for proper cooling.**

## PERFORMANCE

A clogged or dirty intake screen will greatly reduce performance.

If the pump is used on a dirty surface, raise it slightly to reduce the amount of debris contacting the intake. If less flow is desired, adjust the flow control lever on the side of the pump or restrict the discharge flow.

Do not let the pump run when not submerged in water. Doing so may damage the pump. Always submerge the pump first, and then plug in the electrical outlet. At the beginning, it probably can't pump water, because there is air in the pump and the tube. Don't worry about it. Please pull out and insert electrical outlet several times, it will work very well at once.

The pump is to be supplied through a residual current device (RCD) with a rated residual operating current not exceeding 30 mA.

## MAINTENANCE

To clean the pump, remove the back cover and the impeller.

Use a small brush or stream of water to remove any debris **CAUTION: The pump shaft can not be removed. IF THE PUMP FAILS TO OPERATE, CHECK THE**

## FOLLOWING:

- Check the circuit breaker and try another outlet to ensure the pump is getting electrical power. **NOTE: Always disconnect from electrical outlet before handling the pump.**
- Check the pump discharge and tubing for kinks and obstructions. Algae build up can be flushed out with a garden hose.
- Check the inlet to ensure it is not clogged with debris.
- Remove the pump inlet to access the impeller area. Turn the rotor to ensure it is not broken or jammed.
- Monthly maintenance will add to your pump's life. **NOTE: Ensure that the electrical cord loops below the electrical outlet to form a "Drip Loop" This will prevent water from running down the cord into the electrical outlet**

